



SR10C1SM SR12C1SM

SKYMASTER

class **10** m

Max. floor height Max. working radius
9.8 m - R8.0 m

Max. load capacity Machine Weight
200 kg - W4,700 kg

class **12** m

Max. floor height Max. working radius
12.1 m - R10.7 m

Max. load capacity Machine Weight
250 kg - W7,500 kg

*Machine weight may vary depending on options and/or local standards.

*SR12C1SM with optional equipment pictured in above two images.

*SR10C1SM with optional equipment pictured.

FEATURES

Reduced risk of damage to rotation device



When a large load is applied to the basket, the basket rotation mechanism with hydraulic rotary actuator operates to release the load and decrease risk of damage. (SR12CISM only)

*Damage may occur when force is applied at rotation end and/or past rotation angle.

Improved safety devices



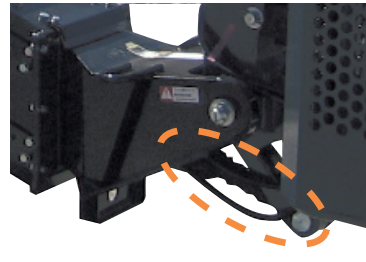
Bar-type touch switch is utilized. It can correspond to basket deformation and it is more reliable than previous wire-type switch.

Improved engine maintenance



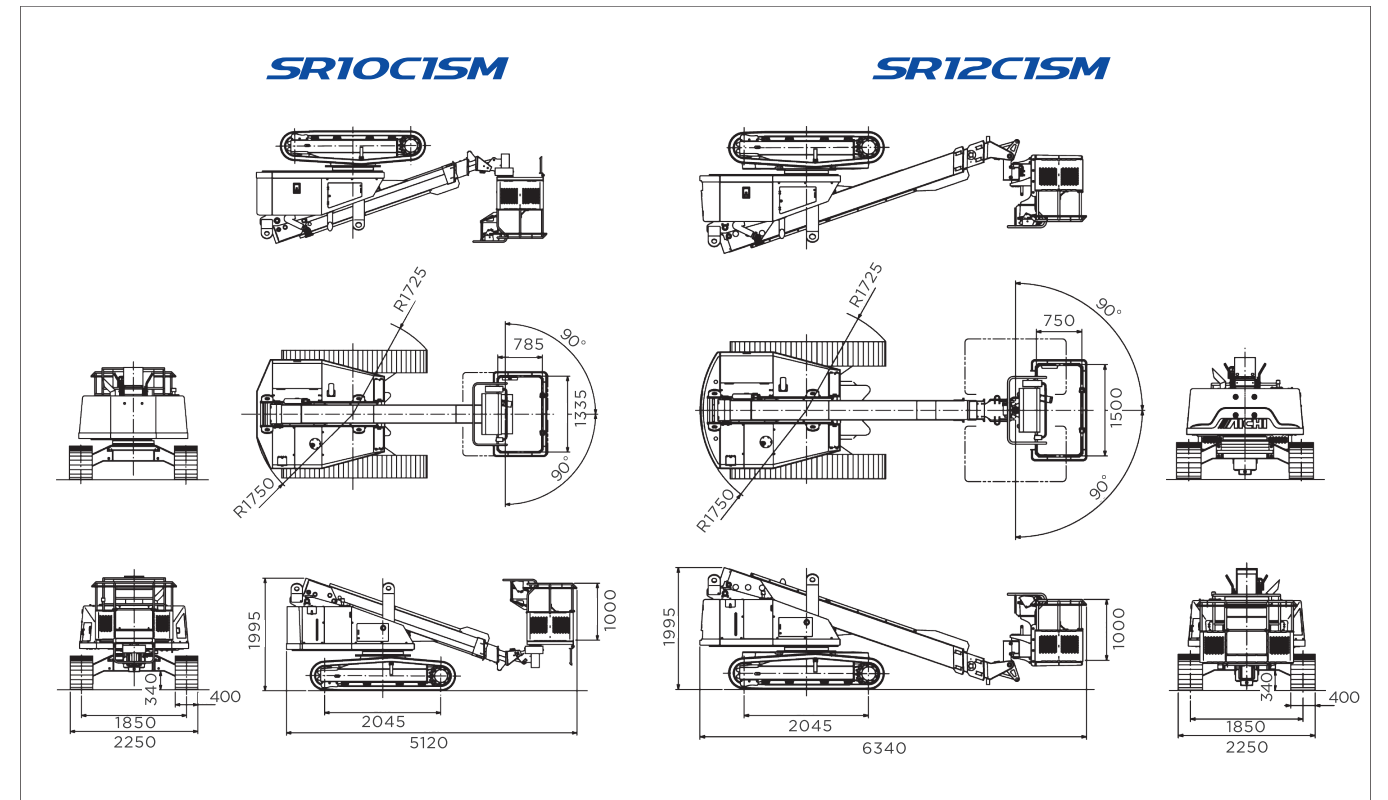
A gull-wing cover have been used, which help to make maintenance and cleaning easier.

Reduced contamination and damage



A protective boot is included as standard for the upper balance cylinder. This protects the cylinder rod from dust and welding spatter.

MACHINE DIMENSIONS



EQUIPMENTS

standard equipment

option



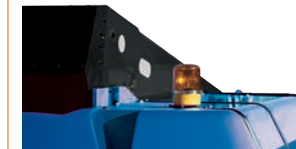
Upper working light (option)

Specifications
• 45W • Halogen • Diffusion lens



Cylinder boots (option)

Can be attached to the elevation, steering, and lower leveling cylinders. Protects the cylinder rod from dust and weld spatter.



Rotation beacon (option)

Illuminates while the engine is running and indicates to nearby personnel that the machine is operating.



Reinforced sweepers (option)

These sweepers reduce the risk of foreign objects entering the inside of the boom. (SR12CISM only)



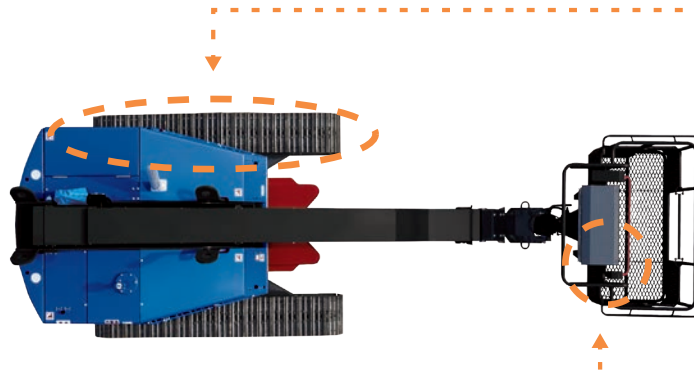
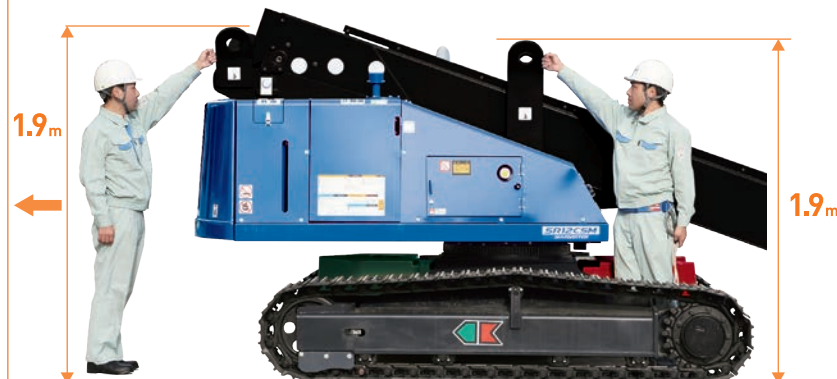
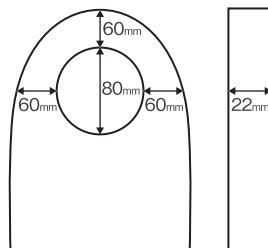
Hook rings (front/rear)

The rings are located at the following distances above the ground.
Front: 1.9 m Rear: 1.9 m
Hook thickness: 22 mm
Ring dimensions shown below.

Hook ring (front)



Hook rings (rear)



Rubber-padded shoes (option)

Rubber shoes reduce damage on road surfaces when traveling.



100 V power socket (option)

Provides a 100 V power outlet on the platform when connected to a power generator.

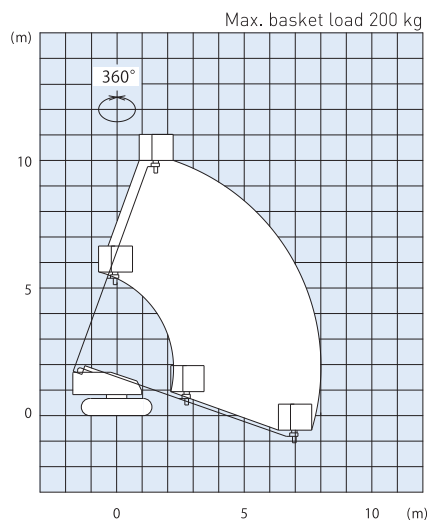
SPECIFICATIONS

MODEL/TYPE	Model	SR10C1SM	SR12C1SM
		Type	Crawler type aerial work platform
PLATFORM	Max. load capacity (crews)	200 kg (2 persons)	250 kg (2 persons)
	Max. floor height	9.8 m	12.1 m
	Max. working radius	8.0 m	10.7 m
	Inside dimensions	(L) 0.78 x (W) 1.3 x (H) 1.0 m	(L) 0.75 x (W) 1.5 x (H) 1.0 m
	Rotation angle	L:90° / R:90°	
BOOM	Type	3-stage telescopic	
	Extension stroke/speed	4.58 m / 25 sec (extend/retract)	3.05 m / 25 sec (extend/retract)
	Elevation angle/speed	-19° to 70°/35 sec (up/down)	
ROTATION DEVICE	Rotation angle	360° continuous	
	Rotation speed	0.75 rpm	
PERFORMANCE	Traveling speed	stowed	0 to 1.5 km/h
		raised	0 to 0.9 km/h
	Gradeability (stowed)	54% (30°)	
	Allowable tilt angle	3°	
	Tunable tailswing radius	1.75 m	
	Machine weight*	4,700 kg	7,500 kg
	Max. ground bearing pressure*	47 kPa	75 kPa
	Turning radius	1.72 m	
	ENGINE	Max. output	18.9 kW (2,400 rpm)
Max. torque		88 N-m (1,440 rpm)	
Displacement		1,642 L	

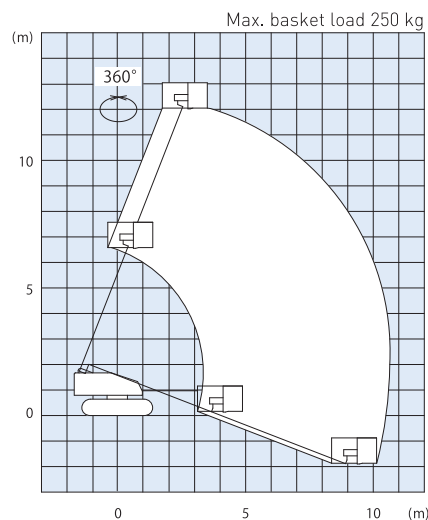
*Machine weight may vary depending on options and/or local standards.

WORKING RANGE DIAGRAMS

SR10C1SM



SR12C1SM



note

- 1 - Working range diagrams do not include boom deflection.
- 2 - Working range diagrams are the same regardless of boom rotation angle.
- 3 - Working range diagrams are based on the machine being on a level surface.
- 4 - Counterweight must be installed in its designated location.
- 5 - Maximum load capacity may vary depending on options equipped.



1152-10 Ryoke Ageo Saitama 362-8550 Japan
TEL: +81-48-781-6907 URL: <http://www.aichi-corp.jp>

DISTRIBUTOR

Safety instructions



- Operator of the machine must receive safety training to ensure safe operations. Incorrect use of the machine can cause serious injury or death. All personnel are requested to receive safety training and only trained and authorized personnel are permitted to operate the machine.
- Ultimate compliance to national safety regulations is the responsibility of the user and their employer.
- All owners and users of the machine must read, understand, and comply with all applicable regulations.

*Due to continuous product improvements, we reserve the right to make specification and/or equipment changes without prior notice.

*The photos and/or drawings in this brochure are for illustrative purposes only.

*This information, while believed to be completely reliable is not to be taken as warranty for which we assume legal responsibility.